

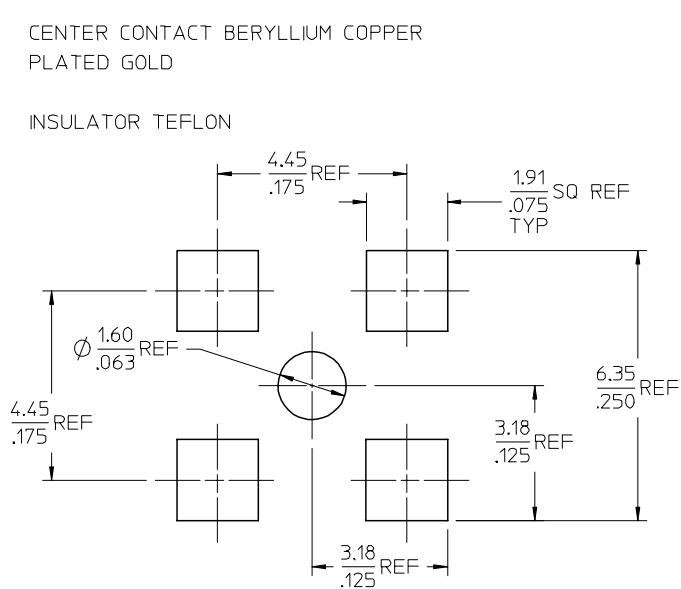
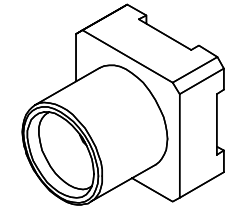
13 12 11 10 9 8 7 6 5 4 3 2 1

MATERIALS AND FINISHES

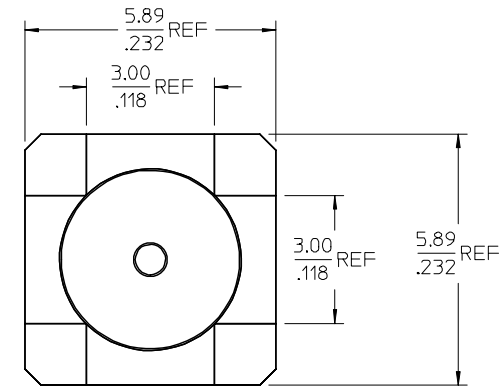
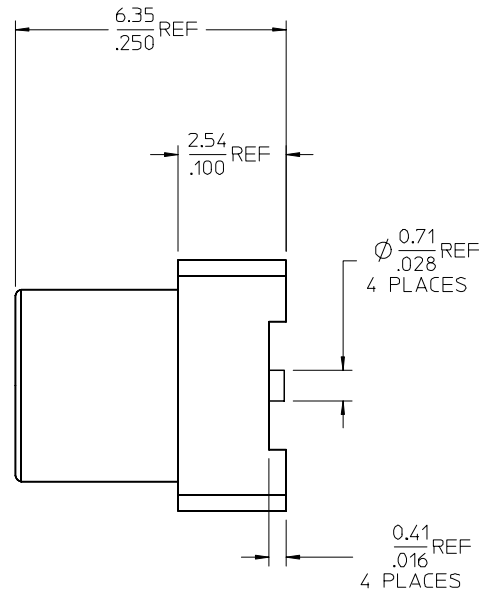
BODY BRASS  
PLATED SEE TABLE

CENTER CONTACT BERYLLIUM COPPER  
PLATED GOLD

INSULATOR TEFLON



RECOMMENDED MOUNTING PATTERN



73415-1635	GOLD	P/N 73415-1631, ONE PIECE PER BAG
73415-1634	TRI ALLOY	P/N 73415-1630, ONE PIECE PER BAG
73415-1633	GOLD	TAPE ANS REEL (SPQ 800 PCS) WITHOUT KAPTON TAPE
73415-1632	GOLD	TAPE ANS REEL (SPQ 800 PCS) WITH KAPTON TAPE
73415-1631	GOLD	INDIVIDUAL, 100 PIECES PER BAG
73415-1630	TRI ALLOY	INDIVIDUAL, 100 PIECES PER BAG
PART NO.	PLATING.	PACKAGING

CHG: REDREW IN SD  
ADDED P/N'S  
73415-1634 AND  
73415-1635  
EC NO: URF 2007-0264  
DRAWN: FLAHERTY 2007/01/09  
CHKD: SHAH 2007/01/09  
APPR: JIMENER 2007/01/09

QUALITY SYMBOLS

DESCRIPTION  
A2

GENERAL TOLERANCES (UNLESS SPECIFIED)	
mm	INCH
4 PLACES ± .010	± .0004
3 PLACES ± .015	± .0006
2 PLACES ± .020	± .0008
1 PLACE ± .030	± .0012
ANGULAR ± 2 °	
DRAFT WHERE APPLICABLE MUST REMAIN WITHIN DIMENSIONS	

DIMENSION STYLE	
MM/IN	
DRAWN BY	DATE
TEF	2000/01/05
CHECKED BY	DATE
TEF	2000/01/05
APPROVED BY	DATE
GMH	2000/01/05
MATERIAL NO.	
SEE TABLE	

SCALE	DESIGN UNITS	THIRD ANGLE PROJECTION
	METRIC	
TITLE MCX JACK,PCB,SMT,75 OHMS MCX-J/PCB		
MOLEX INCORPORATED		
MATERIAL NO.	DOCUMENT NO.	SHEET NO.
SEE TABLE	SD-73415-163	1 OF 1
THIS DRAWING CONTAINS INFORMATION THAT IS PROPRIETARY TO MOLEX INCORPORATED AND SHOULD NOT BE USED WITHOUT WRITTEN PERMISSION		

12 11 10 9 8 7 6 5 4 3 2 1